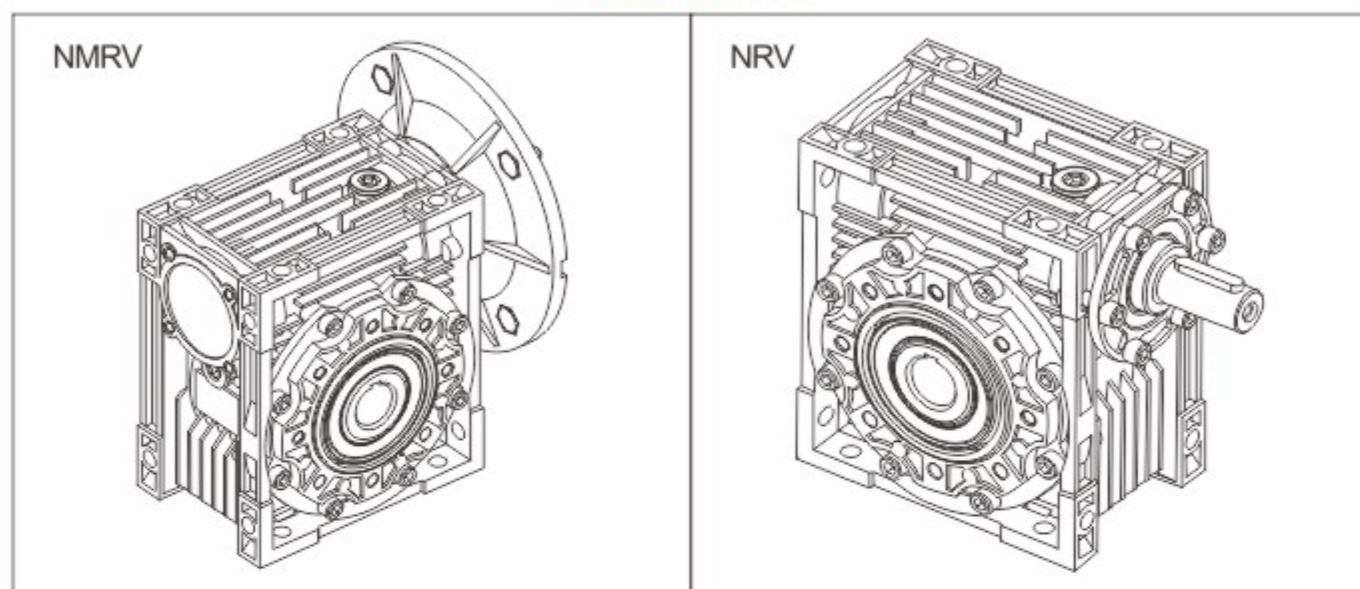




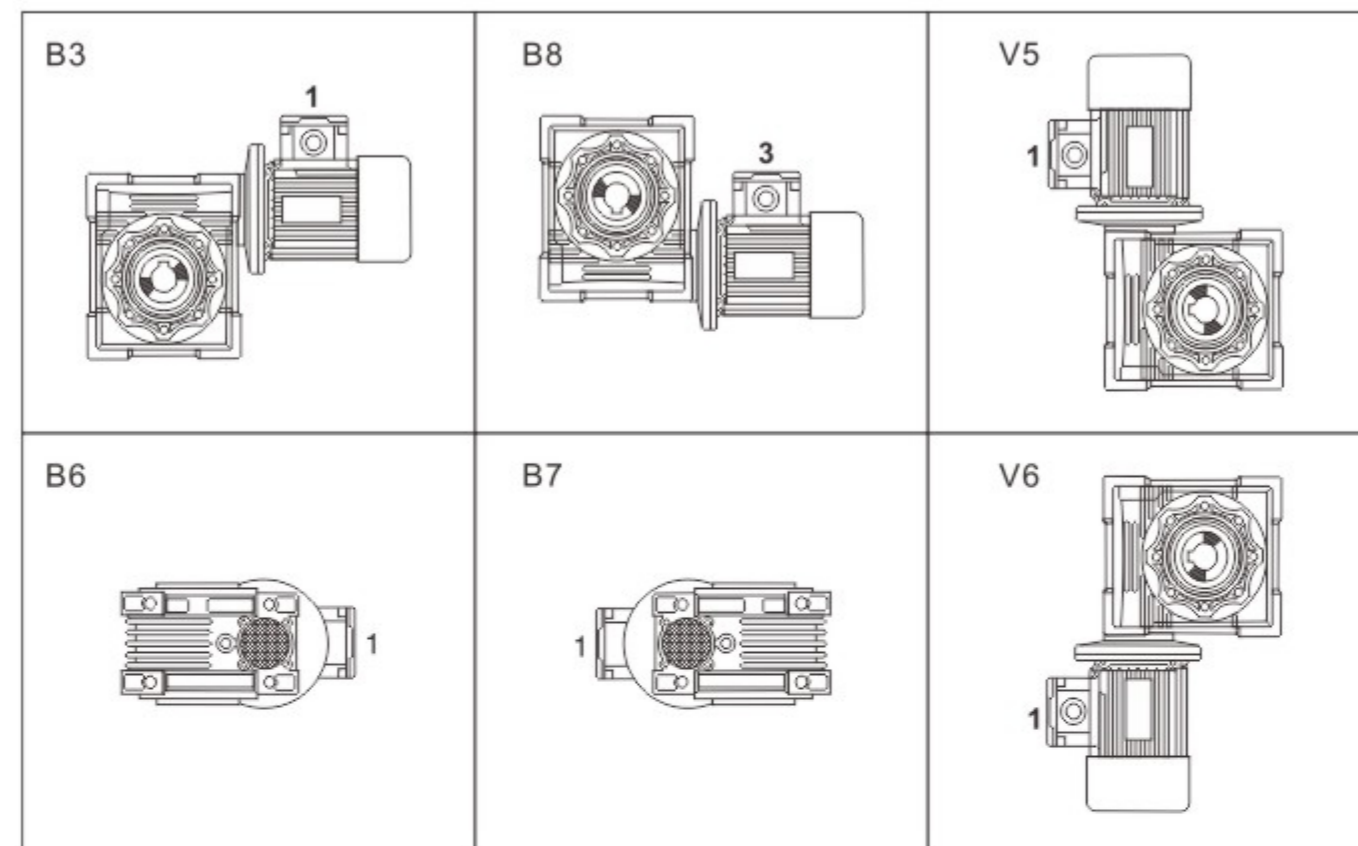
NMRV/NRV



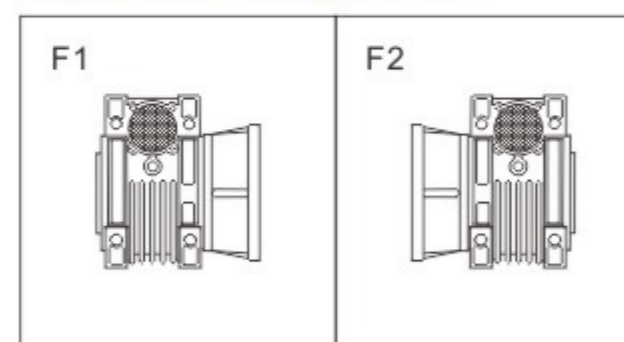
※ NMRV型号标记 NMRV Model & marker

NMRV-063-30-VS-F1 (FA) -AS-80B5-0.75kW-B3			
NMRV	蜗轮减速器 Worm geared motor		
NRV	蜗轮减速器(配接输入轴) Worm reduction unit		
063	蜗轮减速器中心距 center distance		
30	减速比 Reduction ratio		
VS	双向输入轴 Double input shaft	F1(FA)	输出法兰位置及型号 Output flange
AS	单向输出轴 Single output shaft	AB	双向输出轴 Double output shaft
PAM	电机联接 Fitted for motor coupling	80B5	电机机座号和安装结构形式 Motor mounting facility
0.75kW	电机功率 Electric motor power	B3	安装方位 Mounting position

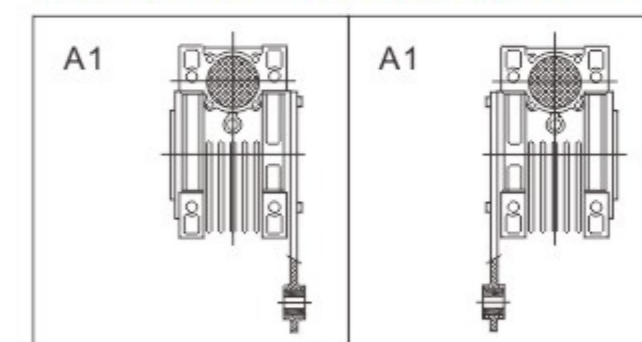
※ 安装方位 Mounting positions



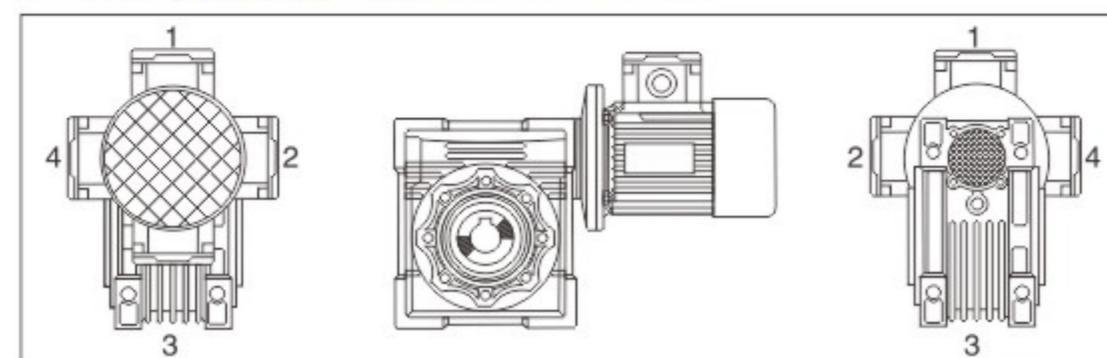
■ 法兰位置 Flange F-FL



■ 扭力臂配置 Pos. of torque arm



■ 接线盒安装方式 Pos. of terminal box





参数表 Date Table (配4极电机 1400R.P.M With 4 Poles,1400R.P.M motor)
A-带平稳负荷 B-带中等冲击 C-带严重冲击 A-Uniform B-Moderate shock C-Heavy shock

速比 i	输出 转速 n ₂	型号 Type	配电机 功率 kw	许用输出转矩(N.m)Allow output torque(N.m)					
				每天工作时数0-8 Hours running per day 0-8			每天工作时数8-24 Hours running per day 8-24		
				A	B	C	A	B	C
7.5	187	NMRV025	0.06	3	3	3	3	3	3
			0.09	4	4	4	4	4	4
		NMRV030	0.12	5	5	5	5	5	5
			0.18	8	8	8	8	8	8
		NMRV040	0.25	11	11	11	11	11	11
			0.37	16	16	16	16	16	16
		NMRV050	0.55	25	25	25	25	25	25
			0.75	34	34	34	34	34	31
		NMRV063	1.1	50	50	50	50	50	50
			1.5	68	68	68	64	64	57
		NMRV075	2.2	100	100	100	90	90	80
			3	137	127	---	127	---	---
		NMRV090	2.2	---	---	---	---	100	100
			3	---	138	138	138	138	128
		NMRV110	4	184	184	168	184	---	---
			5.5	253	253	253	253	240	213
		NMRV130	7.5	345	322	276	322	---	---
			5.5	---	---	---	---	257	257
NMRV130	7.5	---	349	349	349	349	325		
	7.5	---	349	349	349	349	325		
10	140	NMRV025	0.06	3	3	3	3	3	3
			0.09	5	5	5	5	5	5
		NMRV030	0.12	7	7	7	7	7	7
			0.18	10	10	10	10	9	8
		NMRV040	0.25	14	14	14	14	14	14
			0.37	21	21	21	21	19	17
		NMRV050	0.37	---	---	---	---	22	22
			0.55	32	32	32	32	32	31
		NMRV063	0.75	44	44	40	44	---	---
			1.1	65	65	65	65	65	57
		NMRV075	1.5	89	89	76	89	---	---
			1.5	---	---	90	---	90	88
		NMRV075	2.2	132	132	113	132	99	---
			3	180	---	---	---	---	---
		NMRV090	2.2	---	---	134	---	134	134
			3	182	182	176	182	154	---
		NMRV090	4	243	210	---	---	---	---
			4	---	243	243	243	243	226
NMRV110	5.5	334	334	305	334	267	---		
	7.5	455	---	---	---	---	---		
NMRV130	5.5	---	---	334	---	334	334		
	7.5	---	455	455	455	409	364		
15	93	NMRV025	0.06	5	5	5	5	5	5
			0.09	7	7	6	7	---	---
		NMRV030	0.12	9	9	9	8	8	7
			0.18	14	12	---	12	---	---
		NMRV040	0.25	21	21	21	21	19	17
			0.37	31	26	---	26	---	---
		NMRV050	0.37	---	31	31	31	31	31
			0.55	46	46	42	46	36	---

参数表 Date Table (配4极电机 1400R.P.M With 4 Poles,1400R.P.M motor)
A-带平稳负荷 B-带中等冲击 C-带严重冲击 A-Uniform B-Moderate shock C-Heavy shock

速比 i	输出 转速 n ₂	型号 Type	配电机 功率 kw	许用输出转矩(N.m)Allow output torque(N.m)							
				每天工作时数0-8 Hours running per day 0-8			每天工作时数8-24 Hours running per day 8-24				
				A	B	C	A	B	C		
15	93	NMRV050	0.75	63	50	---	50	---	---		
			0.75	---	64	64	64	64	62		
		NMRV063	1.1	93	93	79	93	---	---		
			1.5	127	---	---	---	---	---		
		NMRV075	1.1	---	---	96	96	96	89		
			1.5	---	130	111	130	---	---		
		NMRV090	2.2	191	---	---	---	---	---		
			2.2	---	194	194	194	184	163		
		NMRV090	3	264	246	211	246	---	---		
			4	352	---	---	---	---	---		
		NMRV110	3	---	264	264	264	264	258		
			4	---	352	321	352	281	---		
		NMRV110	5.5	484	387	---	387	---	---		
			5.5	---	490	490	490	465	413		
		NMRV130	7.5	668	623	534	623	---	---		
			7.5	668	623	534	623	---	---		
		20	70	NMRV025	0.06	6	6	6	6	6	5
					0.09	9	8	---	8	---	---
NMRV030	0.12			12	12	10	12	9	8		
	0.18			18	---	---	---	---	---		
NMRV040	0.25			27	27	23	27	20	18		
	0.37			39	---	---	---	---	---		
NMRV050	0.25			---	---	27	---	27	27		
	0.37			---	40	40	40	36	32		
NMRV063	0.55			59	47	---	47	---	---		
	0.55			---	61	61	61	61	60		
NMRV075	0.75			83	83	75	83	66	---		
	1.1			122	89	---	---	---	---		
NMRV075	1.1			---	123	119	123	104	92		
	1.5			168	145	---	145	---	---		
NMRV090	1.5			---	172	172	172	172	160		
	2.2			252	235	201	235	---	---		
NMRV090	3			344	---	---	---	---	---		
	2.2			---	255	255	255	255	249		
NMRV110	3	---	348	318	348	278	---				
	4	464	371	---	---	---	---				
NMRV130	5.5	645	602	516	602	451	401				
	7.5	880	---	---	---	---	---				
25	56	NMRV030	0.12	14	14	12	14	10	9		
			0.18	21	---	---	---	---	---		
		NMRV040	0.25	32	25	22	25	19	17		
			0.25	---	32	32	32	32	31		
		NMRV050	0.37	48	48	41	48	36	---		
			0.55	71	---	---	---	---	---		
		NMRV063	0.55	---	73	73	73	65	58		
			0.75	100	86	---	86	---	---		
		NMRV075	0.75	---	102	102	102	102	90		
			1.1	150	130	111	130	---	---		
		NMRV075	1.5	205	---	---	---	---	---		
			1.5	---	210	192	210	168	149		



参数表 Date Table (配4极电机 1400R.P.M With 4 Poles,1400R.P.M motor)

A-带平稳负荷 B-带中等冲击 C-带严重冲击 A-Uniform B-Moderate shock C-Heavy shock

速比 i	输出 转速 n ₂	型号 Type	配电机 功率 kw	许用输出转矩(N.m)Allow output torque(N.m)					
				每天工作时数0-8 Hours running per day 0-8			每天工作时数8-24 Hours running per day 8-24		
				A	B	C	A	B	C
25	56	NMRV090	2.2	308	225	---	---	---	---
		NMRV110	2.2	---	315	315	299	266	
			3	430	401	344	401	---	
			4	573	---	---	---	---	
		NMRV130	4	---	573	523	573	458	407
			5.5	788	630	---	630	---	---
30	47	NMRV025	0.06	8	8	7	8	6	5
			0.09	12	---	---	---	---	---
		NMRV030	0.12	16	14	12	14	10	9
			0.12	---	17	17	17	17	17
		NMRV040	0.18	26	26	25	26	22	19
			0.25	36	31	---	31	---	---
			0.25	---	36	36	36	36	36
		NMRV050	0.37	55	55	47	55	41	36
			0.55	81	---	---	---	---	---
			0.55	---	83	83	83	78	70
		NMRV063	0.75	114	106	91	106	---	---
			1.1	167	---	---	---	---	---
			1.1	---	148	127	148	111	98
		NMRV075	1.5	233	---	---	---	---	---
			1.5	---	239	232	239	203	180
		NMRV090	2.2	351	280	---	---	---	---
			2.2	---	356	356	356	320	284
			3	485	420	---	420	---	---
		NMRV110	4	647	---	---	---	---	---
			5.5	900	720	617	720	540	480
			5.5	---	900	720	617	720	540
40	35	NMRV025	0.06	10	8	7	8	6	5
			0.12	17	11	9	11	8	7
		NMRV030	0.12	21	21	21	21	20	17
			0.18	32	27	---	27	---	---
		NMRV040	0.18	---	33	33	33	33	33
			0.25	46	46	44	46	39	---
			0.37	68	---	---	---	---	---
		NMRV050	0.37	---	71	71	71	71	66
			0.55	105	98	84	98	---	---
			0.75	143	---	---	---	---	---
		NMRV063	0.55	---	---	108	---	108	96
			0.75	---	147	126	147	---	---
			1.1	216	---	---	---	---	---
		NMRV075	1.1	---	225	205	225	180	160
			1.5	307	245	---	245	---	---
		NMRV090	1.5	---	319	319	319	303	269
			2.2	468	405	347	405	---	---
			3	638	---	---	---	---	---
		NMRV110	2.2	---	468	468	468	468	457
			3	---	638	583	638	510	---
			4	851	680	---	680	---	---
NMRV130	4	---	638	583	638	510	---		
	4	851	680	---	680	---	---		
50	28	NMRV025	0.06	10	7	6	7	5	4
		NMRV030	0.06	12	12	10	12	9	8

参数表 Date Table (配4极电机 1400R.P.M With 4 Poles,1400R.P.M motor)

A-带平稳负荷 B-带中等冲击 C-带严重冲击 A-Uniform B-Moderate shock C-Heavy shock

速比 i	输出 转速 n ₂	型号 Type	配电机 功率 kw	许用输出转矩(N.m)Allow output torque(N.m)							
				每天工作时数0-8 Hours running per day 0-8			每天工作时数8-24 Hours running per day 8-24				
				A	B	C	A	B	C		
50	28	NMRV040	0.09	19	19	19	19	19	16		
			0.12	25	25	21	25	---	---		
			0.18	38	---	---	---	---	---		
		NMRV050	0.18	---	39	39	39	37	33		
			0.25	54	50	43	50	---	---		
		NMRV063	0.25	---	56	56	56	56	56		
			0.37	83	83	75	83	66	---		
			0.55	124	90	---	---	---	---		
		NMRV075	0.55	---	129	117	129	103	91		
			0.75	177	141	---	141	---	---		
			0.75	---	184	184	184	165	147		
		NMRV090	1.1	270	234	200	234	---	---		
			1.1	---	281	281	281	281	262		
			1.5	384	384	351	384	307	---		
		NMRV110	2.2	563	412	---	412	---	---		
			2.2	---	563	546	563	478	425		
			3	767	664	---	664	---	---		
		NMRV130	4	1023	---	---	---	---	---		
			0.06	10	6	5	6	5	4		
			0.09	17	11	9	11	8	7		
		60	23	NMRV025	0.09	21	21	20	21	17	15
0.12	28				24	---	24	---	---		
NMRV030	0.12			---	29	29	29	29	29		
	0.18			43	43	39	43	34	---		
	0.25			60	---	---	---	---	---		
NMRV040	0.25			---	63	63	63	63	56		
	0.37			94	87	75	87	---	---		
	0.37			---	98	98	98	98	87		
NMRV050	0.55			146	136	116	136	---	---		
	0.75			200	---	---	---	---	---		
	0.75			---	212	181	212	159	141		
NMRV063	1.1			311	---	---	---	---	---		
	1.1			---	324	314	324	275	244		
	1.5			442	383	---	383	---	---		
NMRV075	2.2			648	604	518	604	453	403		
	3			884	---	---	---	---	---		
	0.06			12	8	7	8	6	5		
80	18			NMRV030	0.09	26	22	19	22	17	15
					0.12	34	---	---	---	---	---
				NMRV040	0.12	---	35	35	35	33	29
					0.18	52	41	---	---	---	---
		0.25	78		78	71	78	62	55		
		NMRV050	0.37	115	84	---	84	---	---		
			0.37	---	121	110	121	96	86		
			0.55	180	132	---	132	---	---		
		NMRV063	0.55	---	189	162	189	141	126		
			0.75	258	---	---	---	---	---		
			0.55	---	---	201	201	201	201		
		NMRV075	0.75	---	---	274	274	246	219		
			0.75	---	---	274	274	246	219		
			0.75	---	---	274	274	246	219		

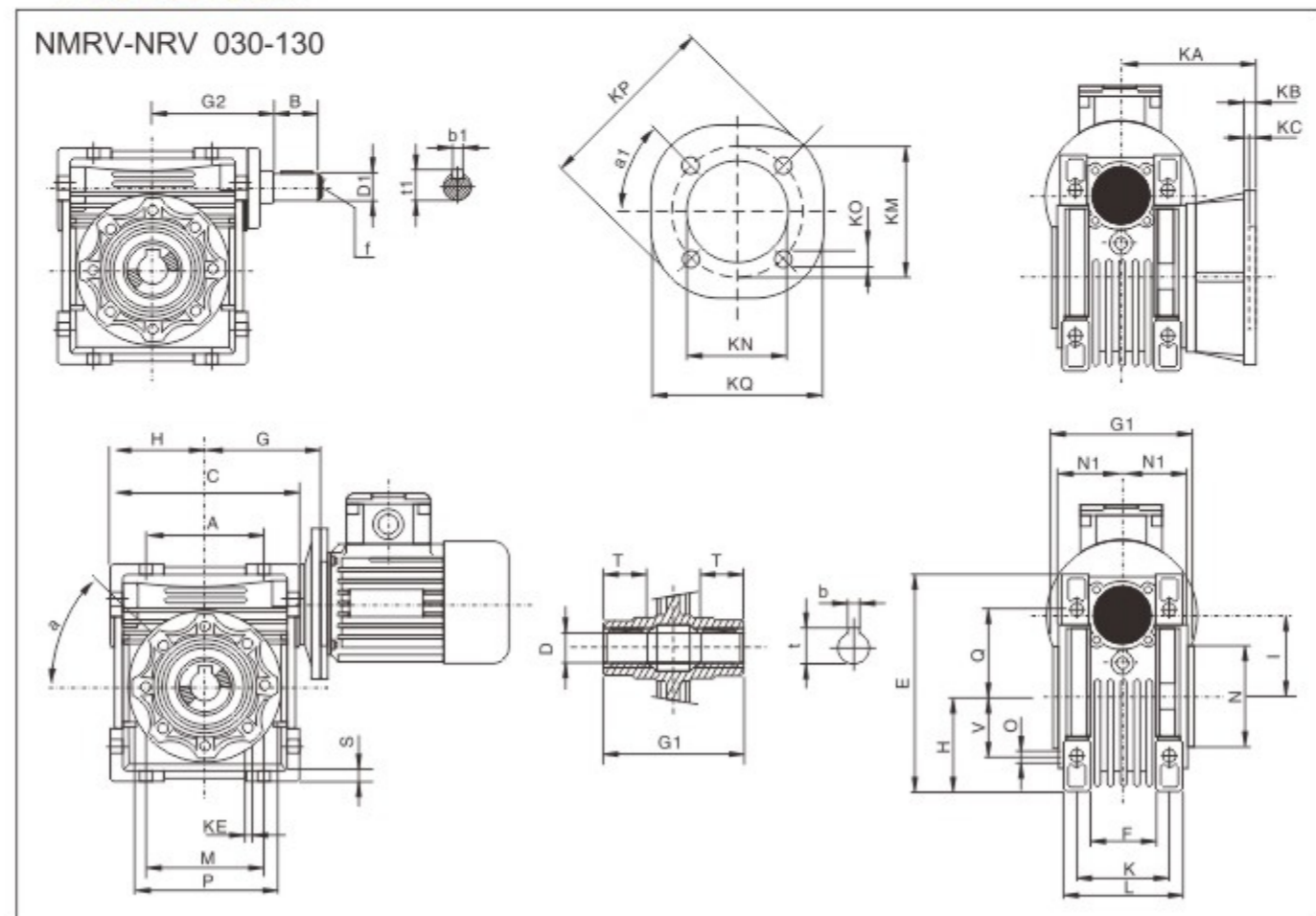


参数表 Date Table (配4极电机 1400R.P.M With 4 Poles,1400R.P.M motor)

A-带平稳负荷 B-带中等冲击 C-带严重冲击 A-Uniform B-Moderate shock C-Heavy shock

速比 i	输出 转速 n ₂	型号 Type	配电机 功率 kw	许用输出转矩(N.m) Allow output torque(N.m)					
				每天工作时数0-8 Hours running per day 0-8			每天工作时数8-24 Hours running per day 8-24		
				A	B	C	A	B	C
80	18	NMRV110	1.1	402	321	---	321	---	---
		NMRV130	1.1	---	408	408	408	408	380
			1.5	557	557	477	557	417	---
			2.2	816	---	---	---	---	---
100	14	NMRV040	0.09	29	19	16	19	14	12
		NMRV050	0.12	40	37	32	37	28	24
		NMRV063	0.25	87	81	69	81	60	54
		NMRV075	0.37	139	120	103	120	90	80
		NMRV090	0.55	221	176	151	176	132	117
		NMRV110	0.75	322	300	257	300	225	200
			1.1	473	---	---	---	---	---
		NMRV130	1.1	---	485	415	485	363	323
			1.5	655	---	---	---	---	---

■ 尺寸图 Size Chart



NMRV-26

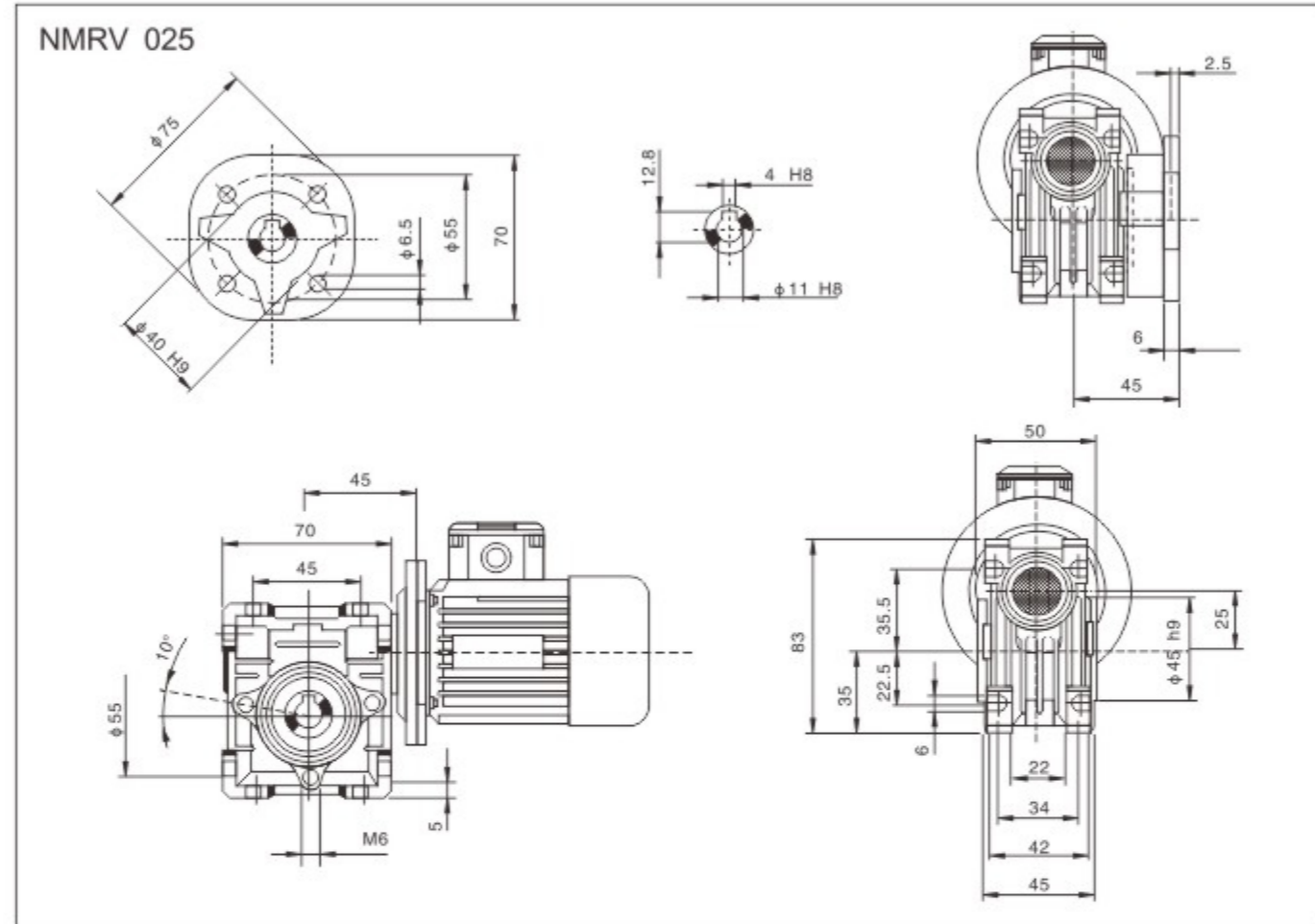
※ NMRV-NRV尺寸表 NMRV-NRV Dimensions

	030	040	050	063	075	090	110	130
A	54	70	80	100	120	140	170	200
B	20	23	30	40	50	50	60	80
C	80	100	120	144	172	206	252.5	292.5
D(H8)	14	18	25	25	28	35	42	45
D1(j6)	9	11	14	19	24	24	28	30
E	97	121.5	144	174	205	238	295	335
F	32	43	49	67	72	74	---	---
G	55	70	80	95	112.5	129.5	160	180
G1	63	78	92	112	120	140	155	170
G2	51	60	74	90	105	125	142	162
H	40	50	60	72	86	103	127.5	147.5
I	30	40	50	63	75	90	110	130
L	56	71	85	103	112	130	144	155
M	65	75	85	95	115	130	165	215
N(h8)	55	60	70	80	95	110	130	180
N1	29	36.5	43.5	53	57	67	74	81
O	6.5	6.5	8.5	8.5	11	13	14	16
P	75	87	100	110	140	160	200	250
Q	44	55	64	80	93	102	125	140
S	5.5	6.5	7	8	10	11	14	15
T	21	26	30	36	40	45	50	60
V	27	35	40	50	60	70	85	100
K	44	60	70	85	90	100	115	120
KE	M6×11 (n=4)	M6×8 (n=4)	M8×10 (n=4)	M8×14 (n=8)	M8×14 (n=8)	M10×18 (n=8)	M10×18 (n=8)	M12×21 (n=8)
a	0	45°	45°	45°	45°	45°	45°	45°
KA	54.5	72	90	102	102	111	131	144
KB	6	7	9	10	13	13	15	15
KC	4	4	5	6	6	6	6	6
a1	45°	45°	45°	45°	45°	45°	45°	45°
KM	68	87	90	150	165	175	230	255
KN(H8)	50	60	70	115	130	152	170	180
KO	6.5(n.4)	9(n.4)	11(n.4)	11(n.4)	14(n.4)	14(n.4)	14(n.8)	16(n.8)
KP	80	110	125	180	200	210	280	320
KQ	70	95	110	142	170	200	260	290
b	5	6	8	8	8	10	12	14
b1	3	4	5	6	8	8	8	8
f	---	---	M6	M6	M8	M8	M10	M10
t	16.3	20.8	28.3	28.3	31.3	38.3	45.3	48.8
t1	10.2	12.5	16	21.5	27	27	31	33
kg	1.2	2.3	3.5	6.2	9	13	35	48

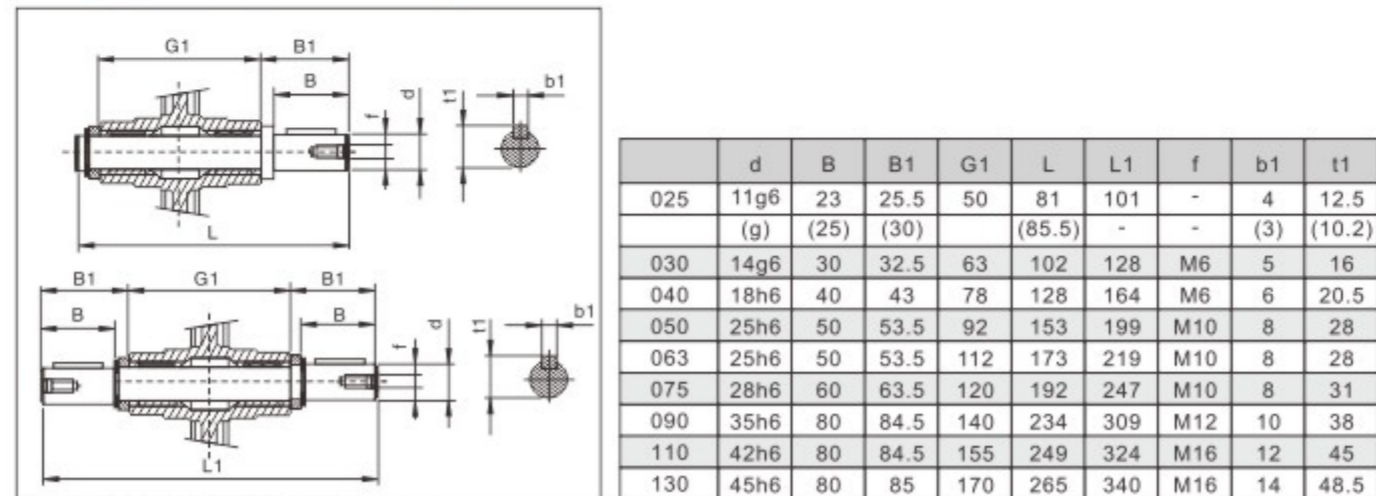
注:kg=不带电机重量 Note:kg=weight without motor



■ 尺寸图 Size Chart

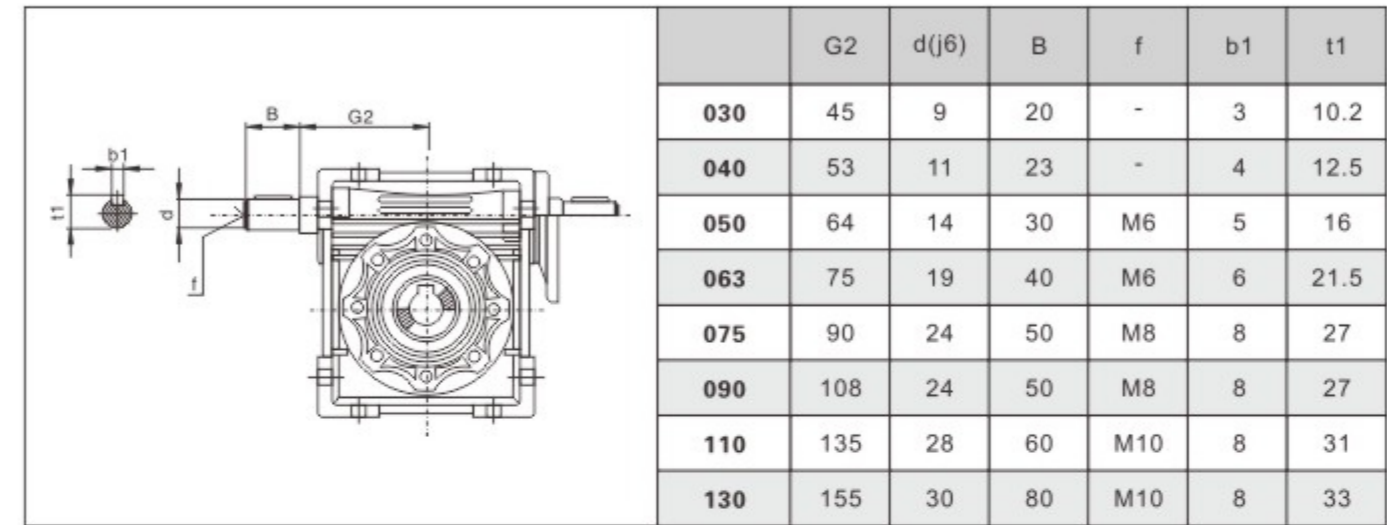


■ 单向/双向输出轴尺寸
Single/double Extension Output Shaft



注：输出轴可按用户要求定做 Note:only on request

■ 同向输出轴尺寸
Sizes Of Double Extension Worm Shaft



■ 扭力臂尺寸
Sizes Of Torque Arm

